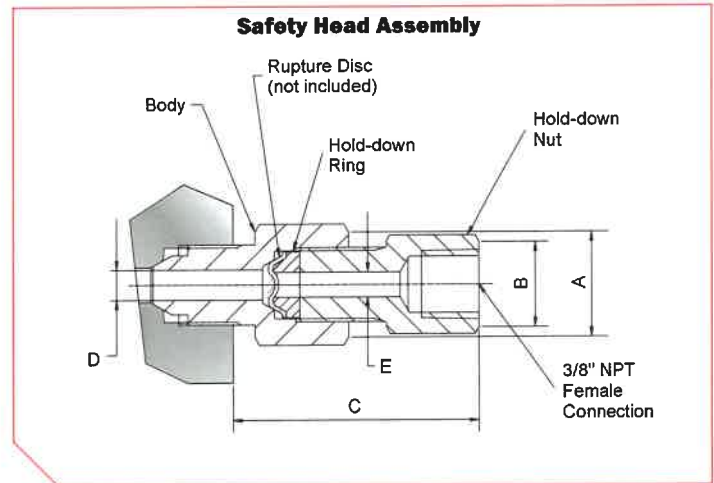
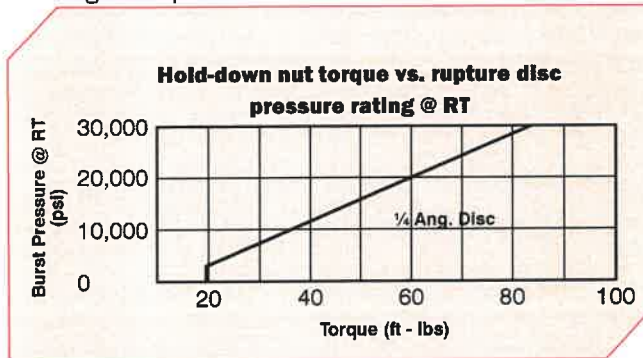


**MAXIMATOR** safety head assemblies are used to provide over-pressure protection to high pressure systems. These safety head assemblies are to be used with the appropriate 1/4" angular rupture disc listed in the chart below.



Safety Head Assembly Catalog Number without Disc	Fits Connection Type	O.D. Tube (in.)	Pressure Rating (psi)	Body Torque (ft - lbs.)	Dimensions (In.)				
					A (Hex.)	B (Hex.)	C (LG.)	D (I.D.)	E (I.D.)
<b>21SH4M</b>	4MF	1/4	22,500	20	1.06	0.88	2.48	0.109	0.250
<b>21SH6M</b>	6MF	3/8	22,500	30	1.06	0.88	2.72	0.203	0.250
<b>21SH9M</b>	9MF	9/16	22,500	55	1.06	0.88	2.51	0.312	0.250
<b>21SH12M</b>	12MF	3/4	22,500	90	1.19	0.88	2.72	0.312	0.250
<b>21SH16M</b>	16MF	1	22,500	150	1.44	0.88	2.72	0.312	0.250
<b>15SH24M</b>	24MF	1-1/2	15,200	200	1.88	0.88	2.66	0.307	0.250

See page 2 in the Technical Section for determining operating pressures above room temperature.

All dimensions for reference only and are subject to change.

## 1/4" Angular Rupture Discs



1/4" angular seat rupture discs are designed to be used with the safety head assemblies that are shown above. Minimum rupture disc pressure ratings should be at least 110% of system operating pressure. The standard material is Inconel. The pressure ranges indicated in the table below are at room temperature (72°F). Other materials and pressure ranges are available upon request.

Catalog Number	Pressure range (psi)
<b>RD-1000</b>	970 - 1,060
<b>RD-1200</b>	1,164 - 1,272
<b>RD-1500</b>	1,455 - 1,590
<b>RD-1750</b>	1,697 - 1,855
<b>RD-2000</b>	1,940 - 2,120
<b>RD-2500</b>	2,425 - 2,650
<b>RD-3000</b>	2,910 - 3,180
<b>RD-3500</b>	3,395 - 3,710
<b>RD-4000</b>	3,880 - 4,240
<b>RD-4500</b>	4,365 - 4,770
<b>RD-5000</b>	4,850 - 5,300

Catalog Number	Pressure range (psi)
<b>RD-5500</b>	5,335 - 5,830
<b>RD-6000</b>	5,820 - 6,360
<b>RD-6500</b>	6,305 - 6,890
<b>RD-7000</b>	6,790 - 7,420
<b>RD-7500</b>	7,275 - 7,950
<b>RD-8000</b>	7,760 - 8,480
<b>RD-8500</b>	8,245 - 9,010
<b>RD-9000</b>	8,730 - 9,540
<b>RD-9500</b>	9,215 - 10,070
<b>RD-10000</b>	9,700 - 10,600
<b>RD-11000</b>	10,670 - 11,660

Catalog Number	Pressure range (psi)
<b>RD-12000</b>	11,640 - 12,720
<b>RD-13000</b>	12,610 - 13,780
<b>RD-14000</b>	13,580 - 14,840
<b>RD-15000</b>	14,550 - 15,900
<b>RD-16000</b>	15,520 - 16,960
<b>RD-17000</b>	16,490 - 18,020
<b>RD-18000</b>	17,460 - 19,080
<b>RD-19000</b>	18,430 - 20,140
<b>RD-20000</b>	19,400 - 21,200
<b>RD-21000</b>	20,370 - 22,260
<b>RD-22000</b>	21,340 - 23,320

All dimensions for reference only and are subject to change.